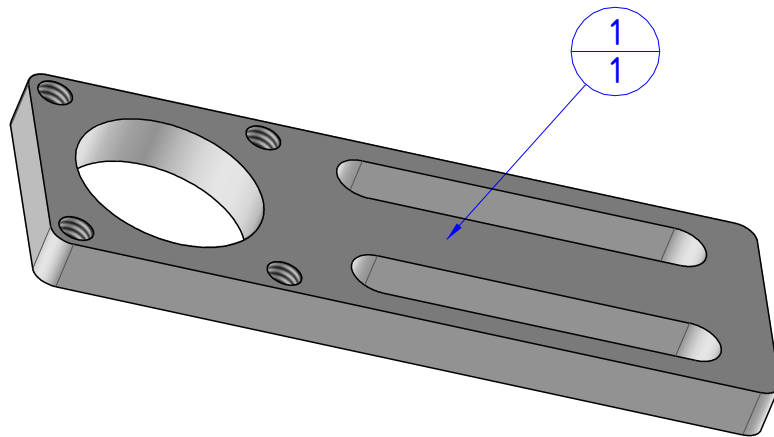
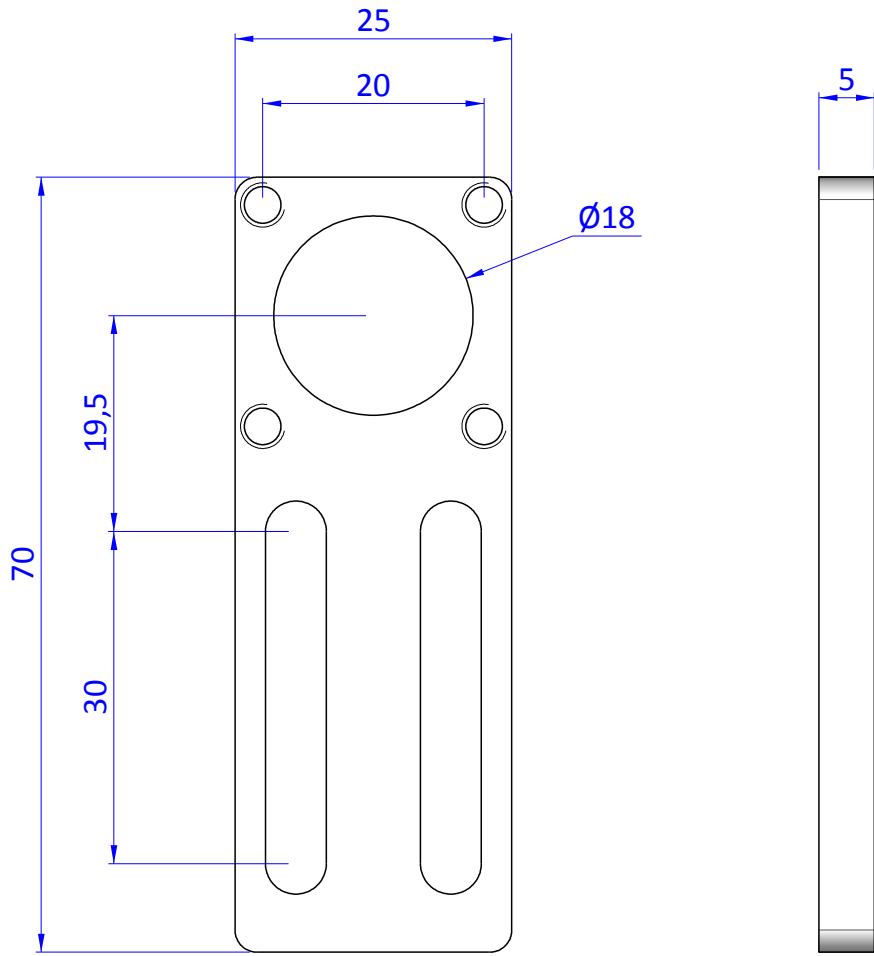


THE PROPERTY OF THE DRAWING IS ESTABLISHED BY LAW. IT IS FORBIDDEN TO PRODUCE OR SHOW IT TO THIRD PART. WITHOUT A WRITTEN AGREEMENT.

Item	Name	Q.ty
1	11.08.002	1



<b>Format A4</b> UNI 936-76					DESIGNED FROM <b>FPS Automation</b>	REVIEW <b>A</b>
	GENERAL TOLERANCE UNI - ISO 2768 CLASSE f	DESCRIPTION CA.11.08.002			DATE 20/05/2019	WEIGHT 0,015kg
					CODE <b>CA.11.08.002</b>	